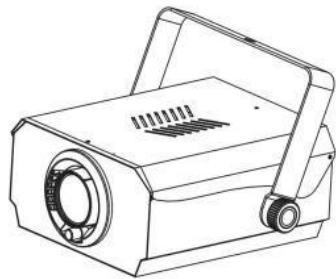
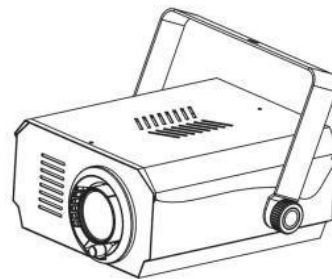




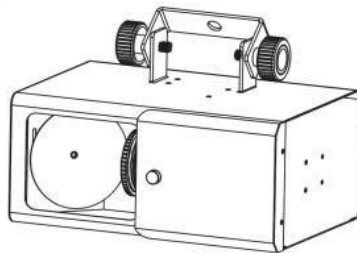
## A collection of unique disco lights



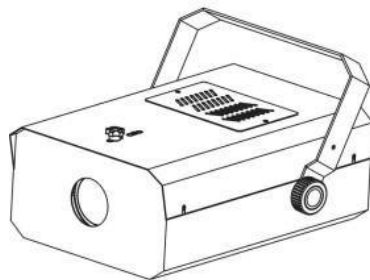
WT-KLD  
WT-LGP



WT-CUB  
WT-FST  
WT-GBF



WT-HLC  
WT-FAN  
WT-OBT



WT-WAV  
WT-IFO



WT-OIL  
WT-OIL 150  
WT-OIL 250

# User Guide

Professional Entertainment Technology

1. Introduction
2. Safety Instruction
3. WT-KLD
  - 3.1 Change lamp
  - 3.2 Beam angle
4. WT-LGP
  - 4.1 Change lamp
  - 4.2 Inserting/ Exchanging rotating gobos
  - 4.3 Beam angle
5. WT-CUB
  - 5.1 Change lamp
  - 5.2 Beam angle
6. WT-FST/ WT-GBF
  - 6.1 Change lamp
  - 6.2 Beam angle
7. WT-OIL/ WT-OIL 150/ WT-OIL 250
  - 7.1 Change lamp
  - 7.2 Change oil wheel
  - 7.3 Beam angle
8. WT-HLC/ WT-FAN/ WT-OBT
  - 8.1 Exchanging rotating gobos/ Change lamp
  - 8.2 Beam angle
9. WT-WAV/ WT-IFO
  - 9.1 Change lamp
  - 9.2 Beam angle
10. Troubleshooting
11. CA-16/ CA-416
  - 11.1 Install & Connection
12. Fixture Cleaning

## **1. Introduction**

Thank you for purchasing Wild Tech products. To familiarize yourself with the unit and for your own safety, please carefully read the instructions which include important information about installation, operation, and maintenance.

Hereunder is a brief introduction of what is “ Wild Tech ”:

Every single species that survives in the wild is equipped with a particular technique..... As does Acme's Wild Tech. Why not show off!

Wild tech is a collection of unique, gorgeous disco lights that comes with flawless engineering to create impressive, amazing effects. Offering a comprehensive range of effect possibilities, Wild Tech starts from the introduction of Kaleido, Cubist, Hallucination, ..... Inferno to Logo Projector, covering DJs' various needs in lighting effects.

By combining the latest technology and innovative ideas, Wild Tech features excellent optics, special designed gobo and effect wheels, bright and powerful light output, perfect for discotheques, clubs, pubs, mobile DJs, and home parties. A considerate design of Wild Tech DMX controller CA-16 and a DMX Switch Pack CA-416 are added for the control of power on/off. Wild Tech is both affordable and very easy to use.

Remaining cool all night, Wild Tech brings you endless effects with boundless energies. Come experience Wild Tech and go wild.

## 2. Safety Instruction



Please read carefully the instruction, which includes important information about the installation, usage and maintenance.

- ◆ Please keep this User Guide for future consultation. If you sell the unit to another user, be sure that they also receive this instruction booklet.
- ◆ Unpack and check carefully there is no transportation damage before using the unit.
- ◆ Before operating, ensure that the voltage and frequency of power supply match the power requirements of the unit.
- ◆ It's important to ground the yellow/green conductor to earth in order to avoid electric shock.
- ◆ The unit is for indoor use only. Use only in a dry location.
- ◆ The unit must be installed in a location with adequate ventilation, at least 50cm from adjacent surfaces. Be sure that no ventilation slots are blocked.
- ◆ Disconnect mains power before fuse/lamp replacement or servicing.
- ◆ Replace fuse/lamp only with the same type.
- ◆ Make sure there is no flammable materials close to the unit while operating as it is fire hazard.
- ◆ Use safety cable when fixes this unit.
- ◆ Maximum ambient temperature is TA: 40 . Don't operate it where the temperature is higher than this.
- ◆ Unit surface temperature may reach up to 85 . Don't touch the housing bare-hand during its operation. Turn off the power and allow about 15 minutes for the unit to cool down before replacing bulb or serving.
- ◆ In the event of serious operating problem, stop using the unit immediately. Never try to repair the unit by yourself. Repairs carried out by unskilled people can lead to damage or malfunction. Please contact the nearest authorized technical assistance center. Always use the same type spare parts.
- ◆ Don't connect the device to any dimmer pack or power pack.
- ◆ Do not touch any wire during operation as high voltage might be causing electric shock.

### **Warning**

- ◆ To prevent or reduce the risk of electrical shock or fire, do not expose the unit to rain or moisture.
- ◆ Never touch bulb with bare fingers as it is very hot after using.
- ◆ Hot lamp explosion hazard. Do not open the unit within five minutes after switching off.
- ◆ Do not start on the unit without bulb enclosure or housing are damaged.
- ◆ The housing, the lenses, or the ultraviolet filter must be replaced if they are visibly damaged.
- ◆ Do not look directly at the light while the bulb is on.

### **Caution**

There are no user serviceable parts inside the unit. Do not open the housing or attempt any repairs yourself. In the unlikely event your unit may require service, please contact your nearest dealer.

### **Rigging the fixtures**

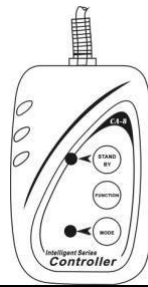
The unit should be mounted via its screw holes on the bracket. Always ensure that the unit is firmly fixed to avoid vibration and slipping while operating. Always ensure that the structure to which you are attaching the unit is secure and is able to support a weight of 10 times of the unit's weight. Also always use a safety cable that can hold 12 times of the weight of the unit when installing the fixture.

The installation must be carried out by qualified service people only. The device should be installed out of reach of people and outside areas where persons may walk by or be seated.

## 3. WT- KLD

Kaleido is a unique 250W kaleidoscopic effect that projects a swarm of swirling patterns. Comes with great built-in programs with auto movement or sound activation. It's linkable, performing synchronized light show, perfect for discos, clubs, bars, and parties.

- Precise optics with special gobo / color wheel.
- Linkable by using stereo cable with 3.5mm stereo jack ( optional )
- Focus adjustable and fan cooled.
- Optional easy controller CA-8 for many lighting shows .



optional )

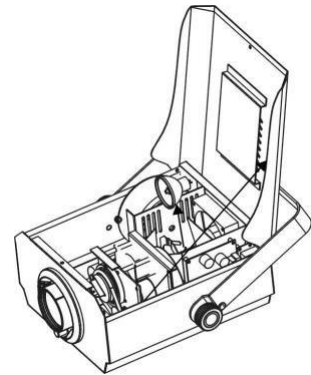
Stand by	Blackout the unit		
Function	Speed of gobo wheel and mirrored-tunnel: Fast and slow	Speed of gobo wheel and mirrored-tunnel: Fast and slow	a.) Adjust gobo wheel rotating direction and speed. b.) <i>Adjust mirrored-tunnel rotating direction and speed.</i>
Mode	Sound (LED off )	Auto (LED on)	Latch (LED blinking)

**Specification:**

- Voltage: AC 120V~60Hz 230V/240V/250V~50Hz/60Hz
- Fuse: 20mm glass 250V T6.3A / 20mm glass 250V T5A
- Bulb: ELC 24V 250W
- Dimension: 306 x 263 x 140 mm
- Weight: 8 kgs

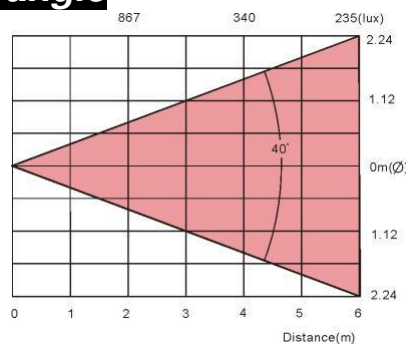
### 3.1 Change lamp

- Always switch off the mains supply and never handle the lamp or luminaire when it is hot.
- Do not touch the bulb with bare hands. If this does happen, clean the lamp with denatured alcohol and wipe with a lint free cloth before installing.



Pull the socket off the lamp. Do not pull the wires.

### 3.2 Beam angle



The Projector is best to be placed 5 meters from wall, and from this distance the light effect will cover an area of 3.7 m x 3.7 m.

## 4. WT-LGP

Logo Projector is a powerful tool creating a long lasting visual effect. It comes with 7 D size gobos and an interchangeable slot for custom made gobos. With speed and direction adjustable function, the Logo projector is perfect for discos, restaurants, department stores, etc.

- Adjustable gobo rotation direction and speed.
- With an optional CA-5 easy controller for the on/off control.
- Focus adjustable and fan cooled.

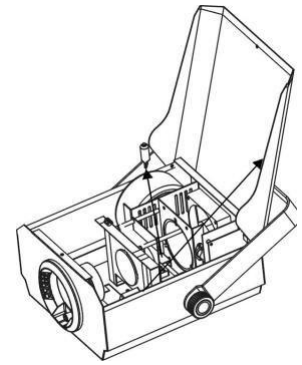
**Specification:**

- Voltage: AC 120V~60Hz 230V/240V/250V~50Hz/60Hz
- Fuse: 20mm glass 250V T6.3A / 20mm glass 250V T5A
- Bulb: EHJ 24V 250W
- Dimension: 306 x 263 x 140 mm
- Weight: 8.2 kgs

**4.1 Change lamp**

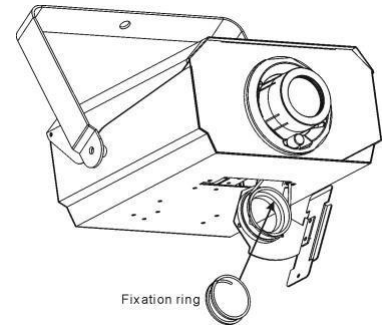
- Always switch off the mains supply and never handle the lamp or luminaire when it is hot.
- Do not touch the bulb with bare hands. If this does happen, clean the lamp with denatured alcohol and wipe with a lint free cloth before installing.

Pull the socket off the lamp. Do not pull the wires.

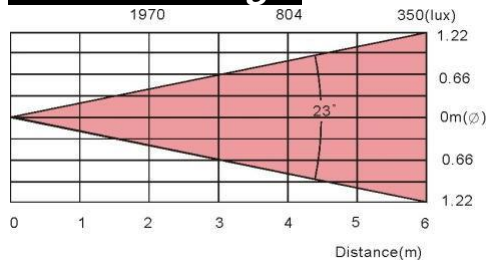


**4.2 Inserting/Exchanging rotating gobos**

Gobo list:



**4.3 Beam angle**



The Projector is best to be placed 5 meters from wall, and from this distance the light effect will cover an area of 2.1 m x 2.1 m.

**5. WT-CUB**

Cubist is a great 3D high precision optical effect with 12 patterns, delivering amazing lighting shows. Comes with great built-in programs with auto movement or sound activation, ideal for discos, pubs, parties, etc.

- Focus adjustable and fan cooled.
- Optional easy controller CA-8 for many lighting shows .

Stand by	Blackout the unit		
Function	Gobo wheel and inner dish activated by music	Select Gobo ( Inner dish activated by music )	Select Gobo ( Inner dish – static )

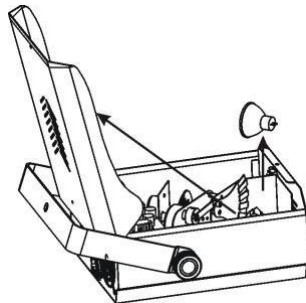
Mode	Sound (LED off )	Next (LED on)	Latch (LED blinking)
------	---------------------	------------------	-------------------------

**Specification:**

- Voltage: AC 120V~60Hz 230V/240V/250V~50Hz/60Hz
- Fuse: 20mm glass 250V T6.3A / 20mm glass 250V T5A
- Bulb: ELC 24V 250W
- Dimension: 306 x 263 x 140 mm
- Weight: 8.2 kgs

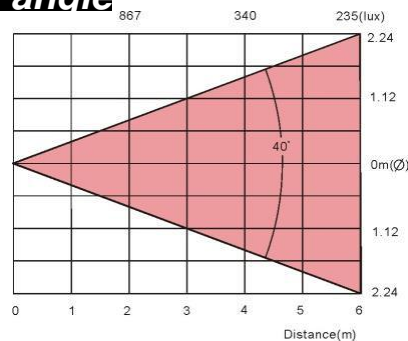
## 5.1 Change lamp

- Always switch off the mains supply and never handle the lamp or luminaire when it is hot.
- Do not touch the bulb with bare hands. If this does happen, clean the lamp with denatured alcohol and wipe with a lint free cloth before installing.



Pull the socket off the lamp.  
Do not pull the wires.

## 5.2 Beam angle



The Projector is best to be placed 5 meters from wall, and from this distance the light effect will cover an area of 3.7 m x 3.7 m.

## 6. WT- FST/ WT- GBF

### WT-FST

Fiesta is a high output special event projector, equipped with 12 event gobos. It offers the choice of stop, continuous or sound activation, satisfying all applications. The unit is perfect for discos, clubs, bars, and parties.

### WT-GBF

With 12 gobos/ colors, precise optics, and 250W powerful output, the Gobo Flower is perfect for discos, clubs, bars, and parties.

- Fan cooled and thermal switch for overheat protection.

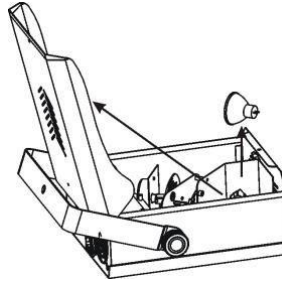
**Specification:**

- Voltage: AC 120V~60Hz 230V/240V/250V~50Hz/60Hz
- Fuse: 20mm glass 250V T6.3A / 20mm glass 250V T5A
- Bulb: ELC 24V 250W
- Dimension: 306 x 263 x 140 mm
- Weight: 8 kgs

## 6.1 Change lamp

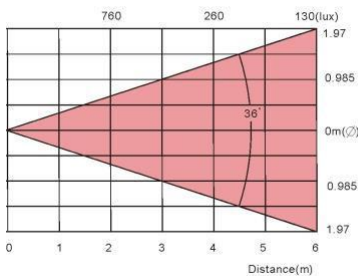
- Always switch off the mains supply and never handle the lamp or luminaire when it is hot.
- Do not touch the bulb with bare hands. If this does happen, clean the lamp with denatured alcohol and wipe with a lint free cloth before installing.

Pull the socket off the lamp.  
Do not pull the wires.

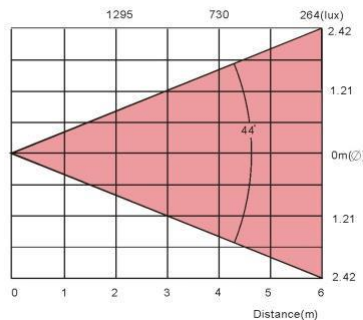


## 6.2 Beam angle

WT-FST



WT-GBF



WT-FST is best to be placed 5 meters from wall, and from this distance the light effect will cover an area of 3.3 m x 3.3 m.

The Projector is best to be placed 5 meters from wall, and from this distance the light effect will cover an area of 4 m x 4 m.

Oil light is an awesome effects projector, equipped with an oil wheel to project psychedelic effects. The colorful and ever-changing-shape effects are ideal for background projection. Perfect for discos, clubs, bars, and parties.

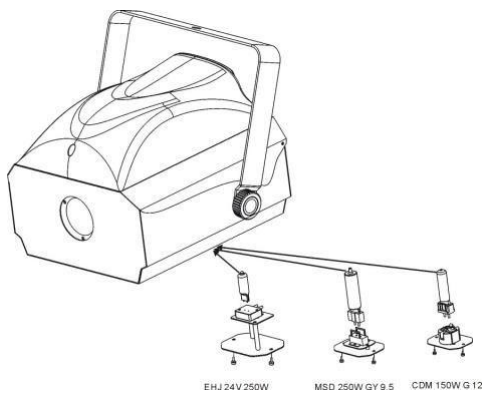
- Adjustable oil wheel speed .
- Zoom function and focus adjustable.

### Specification:

- Voltage: AC 120V~60Hz 230V/240V/250V~50Hz/60Hz
- Fuse: 20mm glass 250V T6.3A / 20mm glass 250V T5A
- Bulb: EHJ 24V 250W / CDM 150W G12 / MSD 250W GY 9.5
- Dimension: 306 x 263 x 140 mm
- Weight: 9.2 kgs

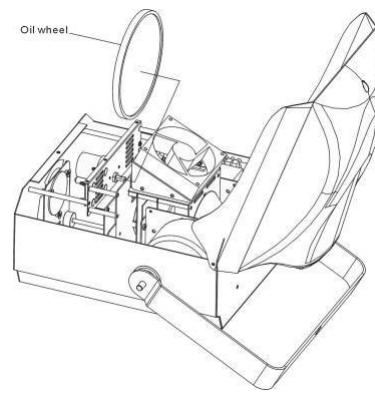
## 7.1 Change lamp

- Always switch off the mains supply and never handle the lamp or luminaire when it is hot.
- Do not touch the bulb with bare hands. If this does happen, clean the lamp with denatured alcohol and wipe with a lint free cloth before installing.
- Turn off the mains power immediately in case the motor broken or the lighting effect stops rotating to avoid the risk of oil wheel breaking.



### Change lamp

Pull the socket off the lamp.  
Do not pull the wires.



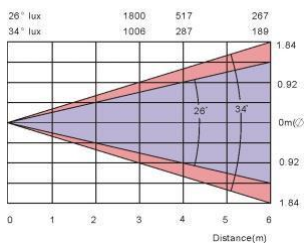
### Change oil wheel

## 7.2 Change oil wheel

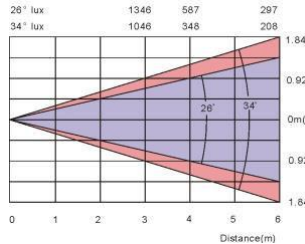
Be sure to turn off mains power before changing Oil Wheel. Unscrew the screw on the oil wheel motor to change the oil wheel. If the position of the screw doesn't face you when you open the cover, power on the unit again to turn the position of screw. Don't push the Oil wheel by hand when the screw doesn't face you.

## 7. Beam angle

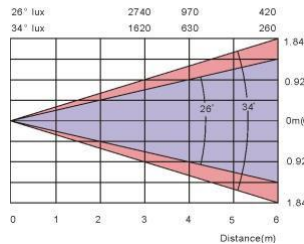
WT-OIL



WT-OIL-150



WT-OIL-250



The Projector is best to be placed 5 meters from wall, and from this distance the light effect will cover an area from 2.3 m x 2.3 m (min.) to 3.1 m x 3.1 m.

## 8. WT- HLC/ WT- FAN/ WT- OBT

### WT- HLC

Hallucination is a powerful 250W effect lights, featuring a slow rotating effects wheel and a static effect glass. It projects a beam through effect glasses onto a multi-colored dichroic dish, creating a hallucinatory effect. Add a selector switch to select between auto, sound activation, or static function. This fixture is perfect for clubs, pubs, bars, parties, and mobile DJs.

- Focus adjustable, fan cooled, and easy lamp access door.

### WT- FAN

Fascination is a powerful 250W background creation effect which projects a beam through a replaceable, rotating glass effect wheel onto a multi-colored dichroic dish, creating an ever changing atmosphere.

Add a selector switch to select between auto, sound activation, or static function. This fixture is perfect for clubs, pubs, bars, parties, and mobile DJs.

- Focus adjustable, and fan cooled.

### WT- OBT

Orbiter is a powerful 250W effect lights, featuring a gobo wheel and multi-colored dichroic dish that rotates back and forth, creating dynamic swiveling effects. Add a selector switch to select between auto, sound activation, or static function. This fixture is perfect for clubs, pubs, bars, parties, and mobile DJs.

- Focus adjustable, and fan cooled.

### Specification:

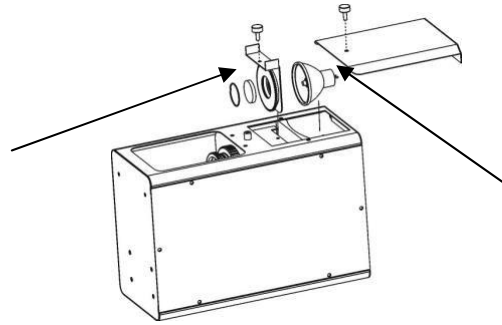
- Voltage: AC 120V~60Hz 230V/240V/250V~50Hz/60Hz
- Fuse: 20mm glass 250V T6.3A / 20mm glass 250V T5A



- Bulb: ELC 24V 250W
- Dimension: 270 x 192 x 120 mm
- Weight: 5.3 kgs

## 8. 1 Exchanging rotating gobos/ Change lamp

Exchanging rotating gobos for WT-FAN only!



Change lamp

## 8. 2 Beam angle

WT-HLC

WT-FAN

WT-OBT

Distance: 5 m, arrive area:8.5 mX5 m  
Distance: 5 m, luminance:50 lux

Distance: 5 m, arrive area:9 mX5 m  
Distance: 5 m, luminance:80 lux

Distance: 5 m, arrive area:9 mX5.2 m  
Distance: 5 m, luminance: 70 lux

WT-HLC is best to be placed 5 meters from wall, and from this distance the light effect will cover an area of 8.5 m x 5 m.

WT-FAN is best to be placed 5 meters from wall, and from this distance the light effect will cover an area of 9 m x 5 m.

WT-OBT is best to be placed 5 meters from wall, and from this distance the light effect will cover an area of 9 m x 5.2 m.

## 9. WT- WAV / WT- IFO

### WT- WAV

Water Wave is a flowing water effect with a powerful 250W light output which is ideal for background back ground projection. This unit is perfect for clubs, bars, parties, karaoke, etc.

- Equipped with 2 effect wheels and 1 independent dichroic color wheel, making the water waving at any place where needs special atmosphere.
- Focus adjustable, fan cooled, and easy lamp access door.

### WT- IFO

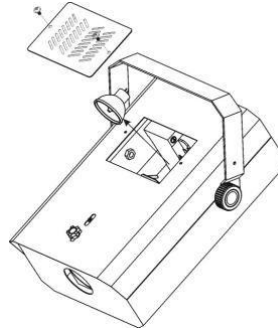
Inferno is a unique projector creating flame effects to produce a blazing inferno. It's a great effect to set any venue on fire, perfect for clubs, pubs, bars, parties, etc.

- Focus adjustable and easy lamp access door. **Specification:**
- Voltage: AC 120V~60Hz 230V/240V/250V~50Hz/60Hz
- Fuse: 20mm glass 250V T6.3A / 20mm glass 250V T5A
- Bulb: ELC 24V 250W
- Dimension: 270 x 192 x 120 mm
- Weight:: 7.2 kgs(WT-WAV) / 7 kgs(WT-IFO)

## 9.1 Change lamp

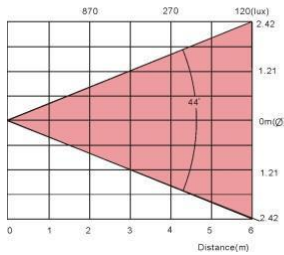
- Always switch off the mains supply and never handle the lamp or luminaire when it is hot.
- Do not touch the bulb with bare hands. If this does happen, clean the lamp with denatured alcohol and wipe with

- a lint free cloth before installing.
- Pull the socket off the lamp. Do not pull the wires.

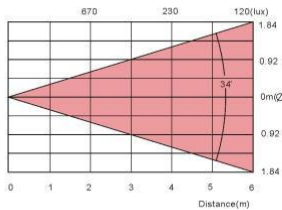


## 9.2 Beam angle

WT-WAV



WT-IFO



WT-WAV is best to be placed 5 meters from wall, and from this distance the light effect will cover the area of 4 m x 4 m.

WT-IFO is best to be placed 5 meters from wall, and from this distance the light effect will cover an area of 3.1 m x 3.1 m.

## 10. CA-16/ CA-416

### CA-16

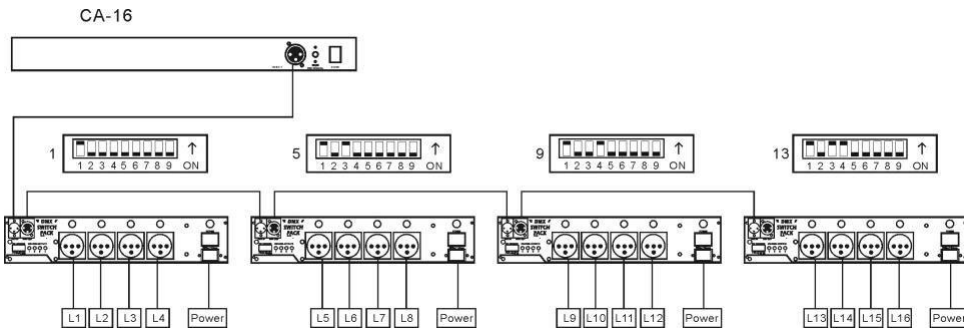
- Power input: DC 9V 500mA Min.
- 16-Channels controller with 16 buttons and indicators, very easy to use.
- The Wild Tech controller can perfectly work with CA-416 for best control of 16-channel power on/off.
- 16 channels DMX output.
- Dimension: 482 x 63 x 44 mm
- Weight: 1 kgs

### CA-416

- Power supply: DC 9V 500mA Min.
- Bulb: 6.3A per channel(Max.), total 15A.
- 4-Channel switch pack with DMX input/output.
- Dip switches for DMX address setting.
- Main input: AC 120V/230V +/- 10% with Maximum 15A fuse holder.
- Output: 6.3A per channels for each socket.
- 4 LEDs indicate the outputs on both the front and back panels.
- 1 Power indicator on the back panel.
- Dimension: 480 x 100 x 88 mm
- Weight: 2.4 kgs

## 10.1 Install & Connection

1. Please refer to the diagram below for connecting CA-16, CA-416 and Wild Tech lights.
2. Set the CA-416 DMX address as 1,5,9,13 refer to the following dipswitch diagram.
3. Press the 1-16 buttons of CA-16 to control the lights power on/off.



## 11. Troubleshooting

Problem	Probable cause(s)	Suggested remedy
No light	No power to the fixture	Check power connections
	Blown fuse	If power is applied but does not light, please check and replace fuse if necessary.
	Burned out lamp	Install new lamp.
	Fixture too hot	Allow to cool down. Improve air flow around the unit.
No action	Sound too low to activate control circuit	Increase volume.
	Electrical malfunction	Refer to service technician.

## 12. Fixture Cleaning

The cleaning of internal and external optical lenses and/or mirrors must be carried out periodically to optimize light output. Cleaning frequency depends on the environment in which the fixture operates: damp, smoky or particularly dirty surrounding can cause greater accumulation of dirt on the unit's optics.

Clean with soft cloth using normal glass cleaning fluid.

Always dry the parts carefully.

Clean the external optics at least every 20 days. Clean the internal optics at least every 30/60 days.

EC Declaration of Conformity

We declare that our products (lighting equipments) comply with the following specification and bears CE mark in accordance with the provision of the Electromagnetic Compatibility (EMC) Directive 89/336/EEC.

EN55014-2: 1997 A1:2001, EN61000-4-2: 1995; EN61000-4-3:2002;  
EN61000-4-4: 1995; EN61000-4-5: 1995, EN61000-4-6:1996,  
EN61000-4-11: 1994.

&

**Harmonized Standard**

EN60598-1: 2000+ALL:2000+A12:2002  
Safety of household and similar electrical appliances  
Part 1 : General requirements

**Innovation , Quality , Performance**